





## Features

- MULTIPLE CAPACITORS IN ONE PACKAGE.
  - THE CAP ARRAY WILL REDUCE SPACE ON THE PC BOARD AND MOUNTING COST.
  - AVAILABLE IN BULK, TAPE AND BULK CASE PACKAGING.
- UNIQUE ELECTRODE CONSTRUCTION REDUCES CROSS TALK.

	CKCA43 SERIES	CKCL44 SERIES
FEATURES	EQUALS TO 4 PIECES OF 0603	EQUALS TO 4 PIECES OF 0402
SPACE ON THE BOARD	50% SPACE SAVING	
MOUNTING COST	REDUCE THE MOUNTING TIME TO 1/4	

## Applications

- SUITABLE WHEN MANY PIECES OF A P/N IS USED.

### EX 1. AROUND INTERFACE CABLE IN PC AND PERIPHERALS

Serial port	CKCA43X7R1H471M	CKCL44X7R1H471M
Video port	CKCA43C0G1H220K	CKCL44C0G1H220K
	CKCA43C0G1H470K	CKCL44C0G1H470K
Parallel port	CKCA43C0G1H221K	

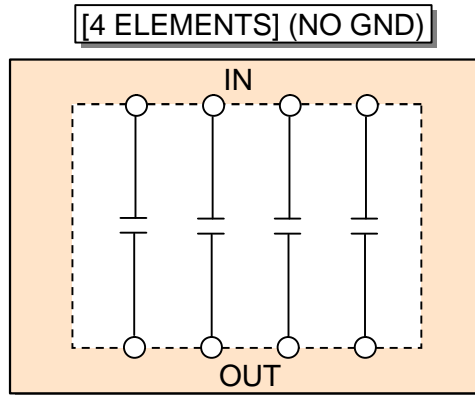
### EX 2. CPU BUS LINE

CKCA43X7R1H103M  
CKCA43X7R1C104M

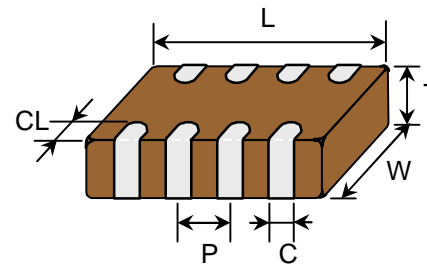
### EX 3. CEL-PHONE/INTERFACE HIGH FREQUENCY NOISE BYPASS CIRCUIT

CKCL44 SERIES

## Connection



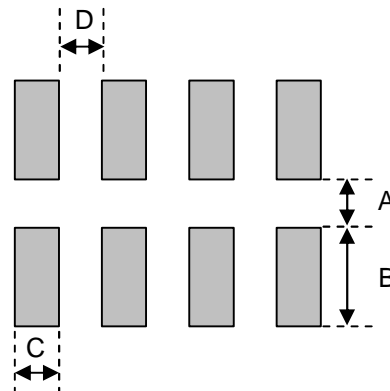
## Dimensions



(Unit: mm)

	CKCL44	CKCA43
L	2.00 ± 0.15	3.20 ± 0.20
W	1.25 ± 0.15	1.60 ± 0.20
T	1.00max.	1.10max.
P	0.50 ± 0.10	0.80+0.20,-0.10
C	0.25 ± 0.10	0.40+0.20,-0.10
CL	0.10~0.25	0.15~0.40

## Recommended land pattern



(Unit: mm)

	CKCL44	CKCA43
A	0.55	0.6~0.7
B	0.6	0.8~1.0
C	0.25	0.4
D	0.25	0.4

## Cap range

### CKCL44 SERIES

Dec.2004

Temp.Chara	COG
wv	1H
Cap.(pF)	50V
10	
15	
22	
33	
39	
47	
68	
100	
150	

Temp.Chara	X7R			X5R	
wv	1H	1E	1C	1A	0J
Cap.(pF)	50V	25V	16V	10V	6.3V
220					
470					
1,000					
2,200					
4,700					
10,000					
22,000					
47,000					
100,000					

Thickness: 1.0 MAX

### CKCA43 SERIES

Temp.Chara	C0G
wv	1H
Cap.(pF)	50V
10	
15	
22	
33	
47	
68	
100	
150	
220	
330	
470	
680	
1,000	

Temp.Chara	X7R			X5R	
wv	1H	1E	1C	1A	0J
Cap.(pF)	50V	25V	16V	10V	6.3V
470					
1,000					
2,200					
4,700					
10,000					
22,000					
47,000					
100,000					
220,000					
470,000					
1,000,000					

Thickness: 1.1 MAX

Please contact us for the other cap value availability